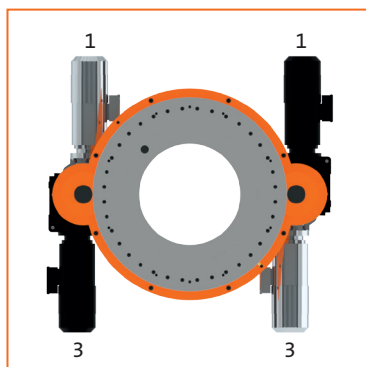


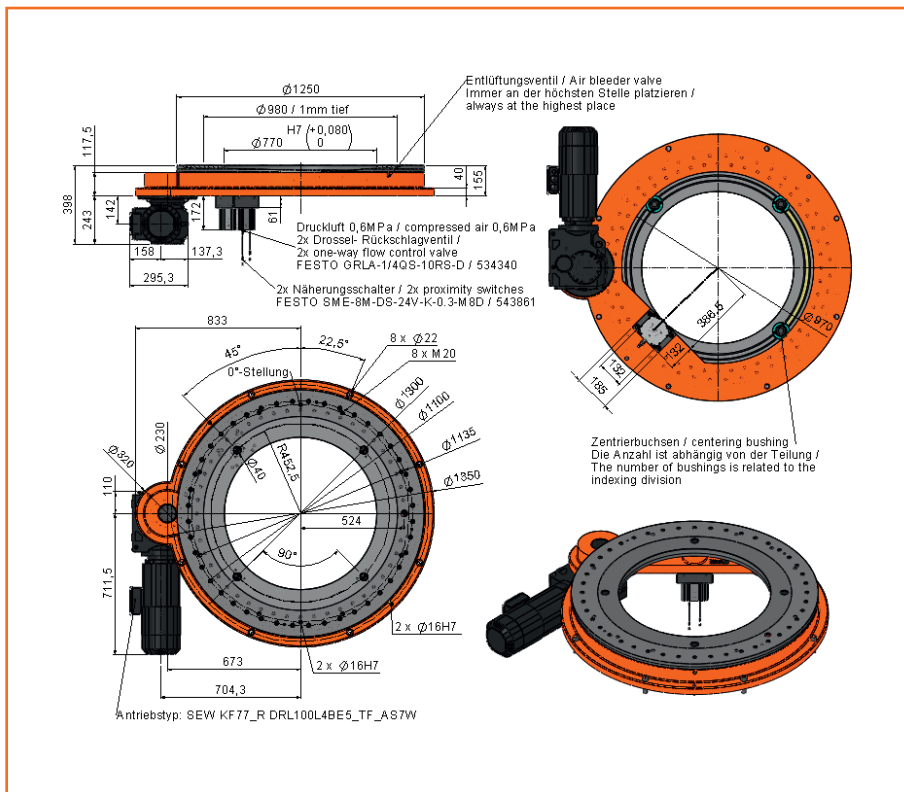
FIBROMAT AT.1250
Drive arrangement 10, 20, 30, 40



FIBROMAT AT.1250
Drive arrangement 11, 13, 31, 33

Dimensions of FIBROMAT® AT.1250

(Drive arrangement 180° with one drive; for other drive arrangements, diagrams or CAD data are available)



Technical data for FIBROMAT® AT.1250

Coding

AT.1250 -

Table top dimension	$\varnothing 1,250$ mm			
Drive motor	1 drive without motor	Gearbox prepared for motor according to customer	.10	②
	1 drive with motor	SEW asynchronous servo gear motor KF77/R DRL 132S4BE5/TF/AS7W/Z	.11	
	1 drive with motor	SIEMENS Motor 1FK7105-5AF71-1EH0	.12	
	1 drive with motor	Special motor	.19	
	2 drives without motor	Gearboxes prepared for motors according to customer	.20	
	2 drives with motor	SEW asynchronous servo gear motor KF77/R DRL 132S4BE5/TF/AS7W/Z	.21	
	2 drives with motor	SIEMENS Motor 1FK7105-5AF71-1EH0	.22	
	2 drives with motor	Special motor	.29	
Drive arrangement	See pictures above		.XX	
	Special design		.99	
Divisions Any, maximum 30	Without indexing unit		.00	④
	With indexing unit for division XX, symmetrical arrangement		.XX	
	Special division		.99	
Centre hole	$\varnothing 770$ mm		.0	⑤
	Extended by 200 mm (not combinable with standard indexing unit)		.1	
	Special design		.9	
Measuring system	Measuring system on motor		.0	⑥
	With additional direct measuring system (mounted in standard centre hole)		.1	
	With measuring system in special design		.9	
Direction of rotation	Any			
Mounting position	Any, standard table top: horizontal (Please state other mounting positions when ordering)			
Indexing and repeat accuracy	Indexing accuracy	Repeat accuracy		
No indexing, one drive	$\pm 290''$	$\pm 145''$		
No indexing, two drives	$\pm 60''$	$\pm 30''$		
With indexing, one drive	$\pm 15''$	$\pm 8''$		
With two drives, with measuring system	$\pm 10''$	$\pm 5''$		

Technical data for FIBROMAT® AT.1250

Maximum axial runout of the table top	0.07 mm		
Maximum runout of the centre hole	0.07 mm		
Weight	FIBROMAT AT.1250	635 kg	
	Gear motor	112 kg	
	Indexing unit	25 kg	

Indexing times for FIBROMAT® AT.1250

AT.1250 with one drive										
45°	t _s in s	3.7	3.4	3.1	2.8	2.5	2.3	2.0	1.7	1.3
	J in kgm ²	35,000	30,000	25,000	20,000	16,000	12,000	8,000	4,000	2,000
90°	t _s in s	5.2	4.8	4.4	3.9	3.6	3.3	3.0	2.3	1.9
	J in kgm ²	35,000	30,000	25,000	20,000	16,000	12,000	8,000	4,000	2,000
180°	t _s in s	7.3	6.9	6.4	5.9	5.6	5.3	4.4	3.5	3.0
	J in kgm ²	35,000	30,000	25,000	20,000	16,000	12,000	8,000	4,000	2,000

AT.1250 with two drives										
45°	t _s in s	2.5	2.3	2.1	1.9	1.7	1.6	1.5	1.1	0.9
	J in kgm ²	35,000	30,000	25,000	20,000	16,000	12,000	8,000	4,000	2,000
90°	t _s in s	3.5	3.3	3.1	2.9	2.7	2.6	2.1	1.7	1.5
	J in kgm ²	35,000	30,000	25,000	20,000	16,000	12,000	8,000	4,000	2,000
180°	t _s in s	5.5	5.3	5.1	4.9	4.7	4.6	3.2	2.8	2.6
	J in kgm ²	35,000	30,000	25,000	20,000	16,000	12,000	8,000	4,000	2,000



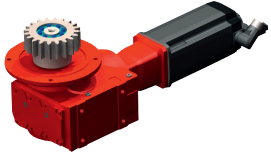
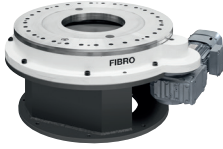

The specified switching times do not include: Regulation time of 0.1 sec, indexing time of 0.3 sec. Further angles and indexing times can be calculated for you.

Load data for FIBROMAT® AT.1250

Perm. transport load on table top horizontal	15,000 kg
Perm. superstructure diameter	7,500 mm
Perm. force vertically on rotating table top	172,000 N
Perm. radial force on the rotating table top	80,000 N
Perm. tilting moment on rotating table top	72,000 Nm
Perm. tangential moment on table top (dynamic)	12,900 Nm

We would be pleased to provide a calculation of combined load data for your specific application.

Additional options for FIBROMAT® AT.1250

Drive unit Asynchronous motor (standard)		Indexing unit	
Drive unit Synchronous servomotor		Machine stands Height: 457 mm	
Drive inverter		Additional table top	